



Main Features:-

- ◆ Wafer type, full bore with heating chamber
- ◆ DN15 to DN100 PN16
- ◆ Blow - out proof stem
- ◆ Working Temperature -20 to + 180C *
- ◆ Ball seats PTFE + 15 % FG

*Temperature and pressure determined by valve body, seat etc.

Suitable Applications & Approvals:



HVAC



OIL



GAS



INDUSTRY



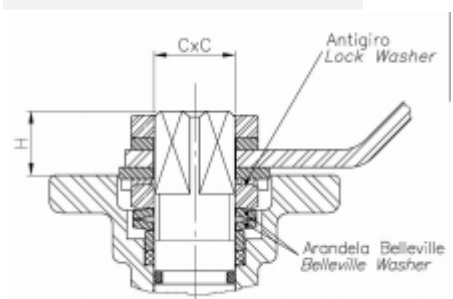
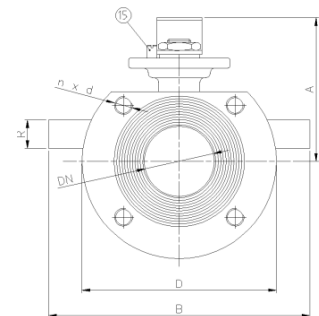
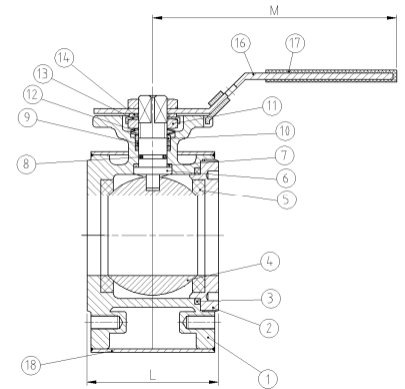
SERIES: 80045

MANUFACTURER: **GENEBRE**

VALVE MATERIALS & DIMENSIONS

ITEM	SECTION	MATERIAL	ADDITIONAL INFO / OPTIONS
1	Body	SS 1.4408	n/a
2	Plug	SS 1.4408	n/a
3	Gasket	PTFE	Spare Part Number 2818
4	Ball	SS 1.4408	n/a
5	Ball Seat	PTFE+15% F.V.	PTFE+15% FG
6	Stem	SS 316	n/a
7	Thrust Washer	PTFE	Spare Part Number 2818
8	O-Ring	FKM	Spare Part Number 2818
9	Packing	PTFE	Spare Part Number 2818
10	Gland	SS 304	n/a
11	Nut	SS 304	n/a

REF	SIZE	n x d	ØD	A	L	M	B	R	Kg
80045-04	1/2"	4 x M12	95	85	36	115	150	Rp 3/4"	1.34
80045-05	3/4"	4 x M12	105	90	38	115	160	Rp 3/4"	1.71
80045-06	1"	4 x M12	115	95	50	170	170	Rp 3/4"	2.45
80045-07	1 1/4"	4 x M16	140	100	53	170	190	Rp 3/4"	3.8
80045-08	1 1/2"	4 x M16	150	105	65	210	200	Rp 3/4"	4.95
80045-09	2"	4 x M16	165	115	78	210	210	Rp 3/4"	6.8
80045-10	2 1/2"	4 x M16	185	130	98	260	235	Rp 3/4"	10.4
80045-11	3"	4 x M16	200	145	118	260	250	Rp 3/4"	14.8
80045-12	4"	4 x M16	220	175	140	260	270	Rp 3/4"	19.9



T +44 (0)1386 552369

E sales@allvalves.co.uk

W www.allvalves.co.uk

F +44 (0)1386



Genebre are a global brand of industrial valves with large stocks held for fast delivery on various type of valves, sizes, end connections and materials.

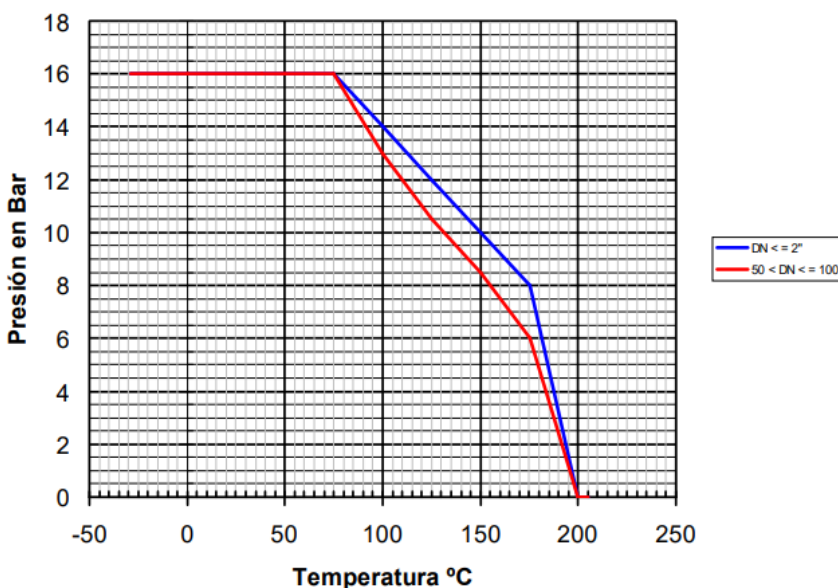
SERIES: 80045

TORQUE / Kv VALUES / PRESSURE & TEMP CHART

REF	SIZE	PN	H	CxC	ISO 5211	GENEBRE
80045-04	1/2"	16	10	9x9	F03/F04	Genebre is a leading company and world reference in fluid control and high-quality taps. They control all the creation processes, responding to the specific needs of each market: from the initial concept and design of the product to the production and commercialization.
80045-05	3/4"	16	10	9x9	F03/F04	
80045-06	1"	16	10	11x11	F04/F05	
80045-07	1 1/4"	16	12.5	11x11	F04/F05	
80045-08	1 1/2"	16	14.5	14x14	F05/F07	
80045-09	2"	16	14	14x14	F05/F07	
80045-10	2 1/2"	16	17	17x17	F07/F010	
80045-11	3"	16	16	17x17	F07/F010	
80045-12	4"	16	19	17x17	F07/F010	

REF	SIZE	TORQUE Nm	REF	SIZE	Kv	TORQUE :
80045-04	1/2"	8-12	80045-04	1/2"	24	<p>- The liquid listed in the table are initial breakaway torques, taken with liquids and lubricant media.</p> <p>- Please regard these as approximate values, as the</p> <p>KV VALUES:</p> <p>- The Kv values (M3 per hour) is the flow of water at a temperature of 5C to 30C (41F to 86F) at p of 1 bar</p>
80045-05	3/4"	8-12	80045-05	3/4"	43	
80045-06	1"	8-12	80045-06	1"	83	
80045-07	1 1/4"	13-18	80045-07	1 1/4"	130	
80045-08	1 1/2"	13-18	80045-08	1 1/2"	205	
80045-09	2"	13-18	80045-09	2"	340	
80045-10	2 1/2"	19-24.5	80045-10	2 1/2"	520	
80045-11	3"	19-24.5	80045-11	3"	1100	
80045-12	4"	19-24.5	80045-12	4"	1820	

PRESSURE AND TEMPERATURE CHART



ALL VALVES

Offering a full range of actuated valve packages, manual valve range, pipe fittings and pumps, we have a product for all your requirements. As an ISO 9001-2015 Quality Approved and certified company, All Valves offer a quality service from pre-sale to post sale. Shipping millions of pounds in value of manual valve and actuated valve packages all over the world since its formation, All Valves are a trusted valve and actuator supplier to many companies all over the world. Working with the leading brands in most industries.



T +44 (0)1386 552369

E sales@allvalves.co.uk

W ww

F +44 (0)1386